



TYPE T14 TEMPERATURE PILOT

APPLICATION DATA

- Storage Heaters
- Jacketed Kettles
- Vats

RATINGS (Maximum Inlet Conditions)

Construction	Pressure PSIG (bar)	Temperature °F (°C)
Cast Iron	250 (17.2) @	450 (232)
Cast Steel	600 (41.4) @	750 (400)

TEMPERATURE RANGES (°F)

20-120	150-300	300-400
50-150	170-270	330-430
70-170	250-350	400-500
120-220	290-390	

Canadian Registration # OC 0591.9C

SIZING INFO
PAGE 118

TYPE T14

VAPOR TENSION TEMPERATURE PILOT

CONTROLS 20 to 500°F

- Precise, Rapid Response
- Spring Operated
- Self Contained
- Normally Open, Direct Operation (Heating)
- Packless Construction
- Fluid, Gas and Vapor Applications
- Strainer Screen Built-in
- Easy in-line Maintenance

OPTIONS See page 87

- Stainless Steel Flexible Tubing
- Stainless Steel Capillary Tubing
- Tubing longer than 10'
- Thermostat Well
- Dial Thermometer
- Integral Mount
- Thermostat other than #700 (see Options Section)

THERMOSTATS See page 86

700	706	731
701	708	732
702	711	740
703	712	
704	713	

TYPICAL CONFIGURATIONS

- TEMPERATURE REGULATINGET14
- TEMPERATURE & PRESSUREET14D
- TEMPERATURE REGULATINGE2T14
- TEMPERATURE & PRESSUREE2T14D
- TEMPERATURE REGULATINGE5T14
- TEMPERATURE & PRESSUREE5T14D

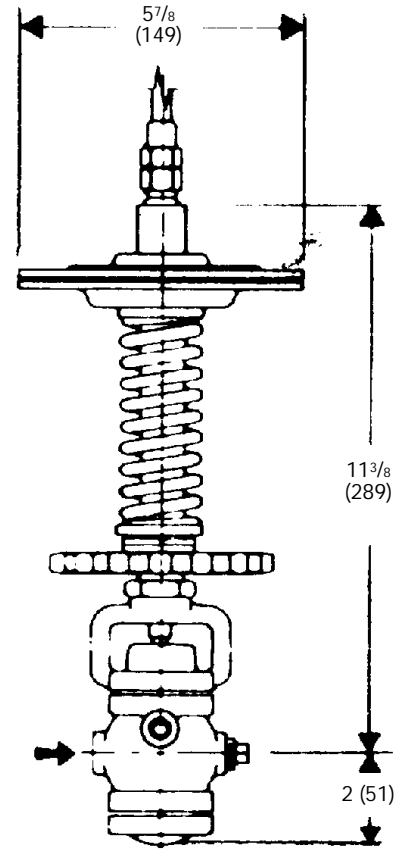
TYPE T14 VAPOR TENSION TEMPERATURE PILOT

SPECIFICATION

Pilot valve shall be separate from the main valve and connected to it by unions. Pilot seats shall be protected by built-in strainer screens. Pilot shall be interchangeable on all sizes of main valves. Thermal elements shall provide a 100°F (38°C) range of temperature adjustment and shall withstand 100°F overheating without damage. Handwheel adjustment for temperature shall be standard. Unless otherwise scheduled, thermal elements shall be equipped with 10 feet of brass flexible tubing. Number 700 bronze bulb, Number 728 bronze well shall be supplied for storage tank applications. Steel wells shall be supplied for fuel oil service.

MATERIALS OF CONSTRUCTION

Body, Cast Iron	ASTM A126 CI B
Body, Cast Steel	ASTM A216 GR. WCB
Stem	2024-T4 ASTM B211-75
Disc	440 St. St. ASTM A276-75 COND A
Seat	420 St. St. ASTM A276 COND A
Gasket	Graphite
Diaphragm	Bronze ASTM B103-77 UNS C51000
Spring	Steel



TYPE T14
TEMPERATURE PILOT

TYPE T14 TEMPERATURE PILOT
13 LBS. (6 KG)

